

ARGO

RIG

Mast

Manufacturer	Ag+ Spars
Length of the tube (mm)	11 145
Profile	M225

Boom

Manufacturer	AG+ Spars
Length of the tube (mm)	3 270
Profile	B160

Bowsprit

Manufacturer	AG+ Spars
Length (Rotation axis – end of the tube) (mm)	2 310
Inside diameter (mm)	72,8
Outside diameter (mm)	76

APPENDAGES

Rudders

Rough weight (Kgs)	10
Measures (L*I) (mm)	1 334 * 311

Keel

Measure(s) including trailing edge (mm)	1 242 * 704
---	-------------

MISCELLANEOUS

Exemptions/exceptions	Keel fin : cast aluminium
Steering system material	-
Batteries' positions	Keel Under cockpit

D2

RIG		
Mast		
Manufacturer	Selden	Zspars
Length of the tube (mm)	11 140	11 140
Profile	C116	Z230
Boom		
Manufacturer	Selden	Zspars
Length of the tube (mm)	3 265	-
Profile	B120	Z202
Bowsprit		
Manufacturer	Selden	Z
Length (Rotation axis – end of the tube) (mm)	-	2 400
Inside diameter (mm)	-	52
Outside diameter (mm)	72	57
APPENDAGES		
Rudders		
Rough weight (Kgs)		6,5
Measures (L*I) (mm)		1 385
Keel		
Measure(s) including trailing edge (mm)		-
MISCELLANEOUS		
Exemptions/exceptions		-
Steering system material		-
Batteries' positions		Companionway Box

DINGO

RIG	
Mast	
Manufacturer	Z
Length of the tube (mm)	11 280
Profile	Z230
Boom	
Manufacturer	Z
Length of the tube (mm)	3 260
Profile	Z204
Bowsprit	
Manufacturer	Z
Length (Rotation axis – end of the tube) (mm)	2 400
Inside diameter (mm)	52
Outside diameter (mm)	57
APPENDAGES	
Rudders	
Rough weight (Kgs)	6,5
Measures (L*I) (mm)	1 385
Keel	
Measure(s) including trailing edge (mm)	1 268 * 600
MISCELLANEOUS	
Exemptions/exceptions	-
Steering system material	-
Batteries' positions	Companionway Box

GINTO

RIG		
Mast		
Manufacturer	AG+	Sparcraft
Length of the tube (mm)	11 190	11 290
Profile	M225	F67
Boom		
Manufacturer	AG+	Sparcraft
Length of the tube (mm)	3 320	3 350
Profile	F125	F60
Bowsprit		
Manufacturer		AG+
Length (Rotation axis – end of the tube) (mm)		2 400
Inside diameter (mm)		65
Outside diameter (mm)		70
APPENDAGES		
Rudders		
Rough weight (Kgs)		7-8 with fittings
Measures (L*I) (mm)		1 240 * 400
Keel		
Measure(s) including trailing edge (mm)		1 360 – bulbe 1 190
MISCELLANEOUS		
Exemptions/exceptions		Hulls 1 to 3: insufficient deck camber
Steering system material		-
Batteries' positions		Companionway Keel

MAXI 6,50

RIG

Mast

Manufacturer	AG+
Length of the tube (mm)	11 023
Profile	M214

Boom

Manufacturer	AG+
Length of the tube (mm)	3 193
Profile	B165

Bowsprit

Manufacturer	AG+
Length (Rotation axis – end of the tube) (mm)	2 400
Inside diameter (mm)	65
Outside diameter (mm)	70

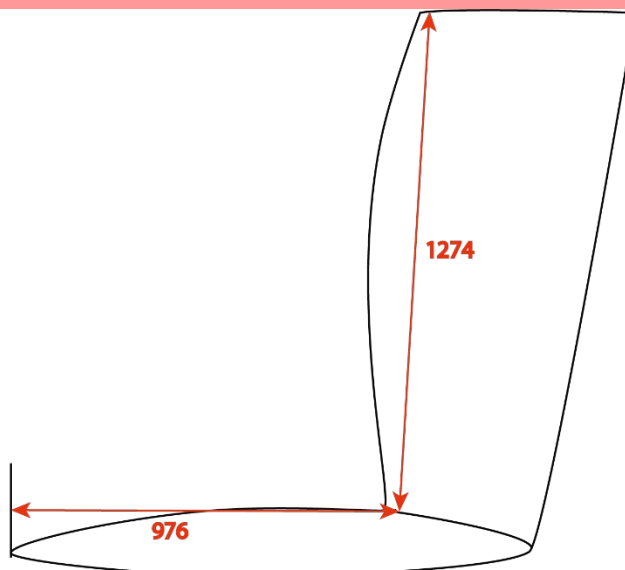
APPENDAGES

Rudders

Rough weight (Kgs)	7
Measures (L*I) (mm)	1 270*300

Keel

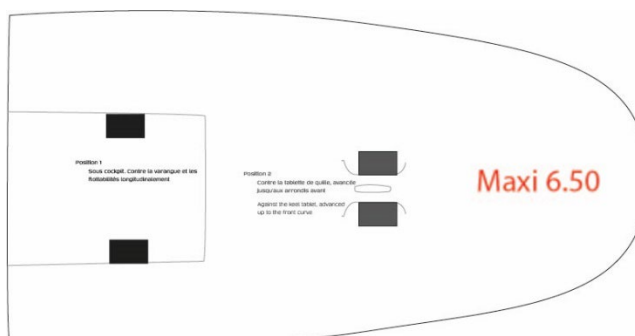
Measure(s) including trailing edge (mm)



MISCELLANEOUS

Exemptions/exceptions
Steering system material
Batteries' positions

Hull 0 to 32 : various epoxy bonding
Glass polyester



MISTRAL

RIG

Mast

Manufacturer	AG+
Length of the tube (mm)	11 236
Profile	M225

Boom

Manufacturer	AG+
Length of the tube (mm)	3 370
Profile	B205

Bowsprit

Manufacturer	AG+
Length (rotation axis – end of the tube) (mm)	2 400
Inside diameter (mm)	58
Outside diameter (mm)	63

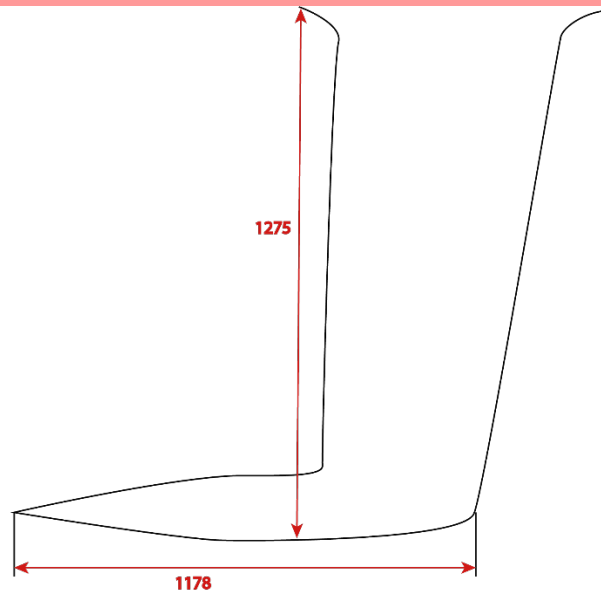
APPENDAGES

Rudders

Rough weight (Kgs)	6,4
Measures (L*I) (mm)	1 385

Keel

Measure(s) including trailing edge



MISCELLANEOUS

Exemptions/exceptions
 Steering system material
 Batteries' positions

Mini nb 495-533 : shrouds position
 -
 Font box
 Keel

NACIRA

RIG

Mast

Manufacturer	AG+
Length of the tube (mm)	11 080
Profile	M225

Boom

Manufacturer	AG+
Length of the tube (mm)	3 285
Profile	B160

Bowsprit

Manufacturer	-
Length (rotation axis – end of the tube) (mm)	2 400
Inside diameter (mm)	-
Outside diameter (mm)	63

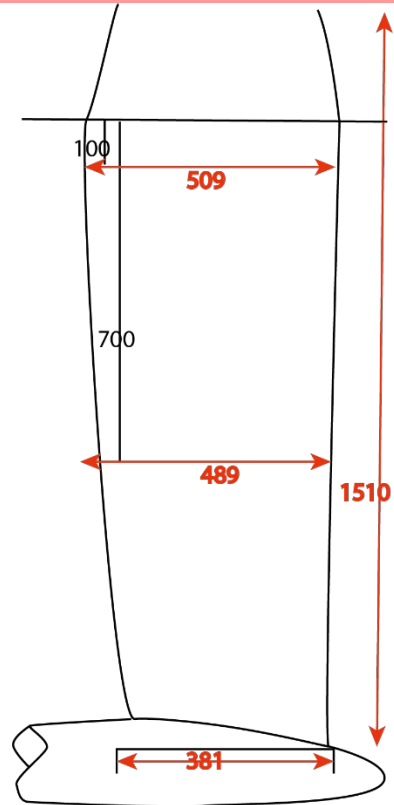
APPENDAGES

Rudders

Rough weight (Kgs)	7,65 with fittings
Measures (L*I) (mm)	1 327 * 301

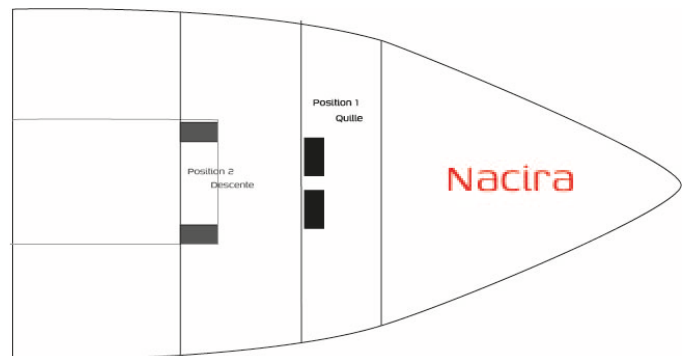
Keel

Measure(s) including trailing edge



MISCELLANEOUS

Exemptions/exceptions -
 Steering system material -
 Batteries' positions



NAUS

RIG

Mast

Manufacturer	Licospars
Length of the tube (mm)	11 236
Profile	116/78

Boom

Manufacturer	Licospars
Length of the tube (mm)	3 320
Profile	115

Bowsprit

Manufacturer	Licospars	
Length (rotation axis – end of the tube) (mm)	Min. 2 500	
Inside diameter (mm)	65	55
Outside diameter (mm)	70	60

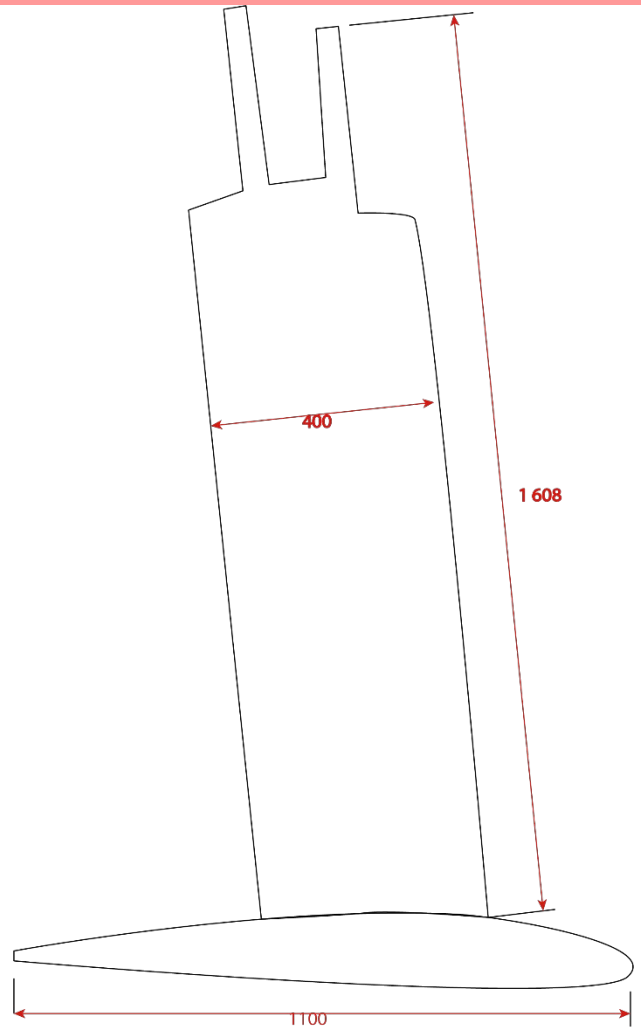
APPENDAGES

Rudders

Rough weight (Kgs)	Min. 5 - Max. 11
Measures (L*I) (mm)	Min. 1 250*280
	Max. 1 450*280

Keel

Measure(s) including trailing edge



MISCELLANEOUS

Exemptions/exceptions	-
Steering system material	-
Batteries' positions	Companionway

OFCET

RIG

Mast

Manufacturer	AG+
Length of the tube (mm)	11 100
Profile	M214

Boom

Manufacturer	AG+
Length of the tube (mm)	3 160
Profile	B200/B165

Bowsprit

Manufacturer	AG+
Length (rotation axis – end of the tube) (mm)	2 305
Inside diameter (mm)	57
Outside diameter (mm)	63

APPENDAGES

Rudders

Rough weight (Kgs)	Shovel : 4,5 / 5,5
Measures (L*I) (mm)	L : 809
	Ch : 329
	Cb : 170

Keel

Measure(s) including trailing edge	H : 1 240
	Ch : 580
	Cb : 416
	Trailing edge: 1 255

MISCELLANEOUS

Exemptions/exceptions	-
Steering system material	-
Batteries' positions	Under cockpit

POGO 1

RIG			
Mast			
Manufacturer		Z	
Length of the tube (mm)		11 150	
Profile		Z230	
Boom			
Manufacturer		Z	
Length of the tube (mm)	3 680		-
Profile	Z204		Z202
Bowsprit			
Manufacturer		Z	
Length (rotation axis – end of the tube) (mm)		4 000	
Inside diameter (mm)		65	
Outside diameter (mm)		70	
APPENDAGES			
Rudders			
Rough weight (Kgs)		7	
Measures (L*I) (mm)		1 350	
Keel			
Measure(s) including trailing edge		1 260	
MISCELLANEOUS			
Exemptions/exceptions		-	
Steering system material		-	
Batteries' positions		Companionway	

POGO 2

GREEMENT

Mât

Fabricant	Z
Longueur tube (mm)	11 100
Profil	Z230

Bôme

Fabricant	Z
Longueur tube (mm)	3 520
Profil	Z204 Z202

Bout-dehors

Fabricant	Z
Longueur (axe de rotation – extrémité du tube, en mm)	2 400
Diamètre intérieur (mm)	65
Diamètre extérieur (mm)	70

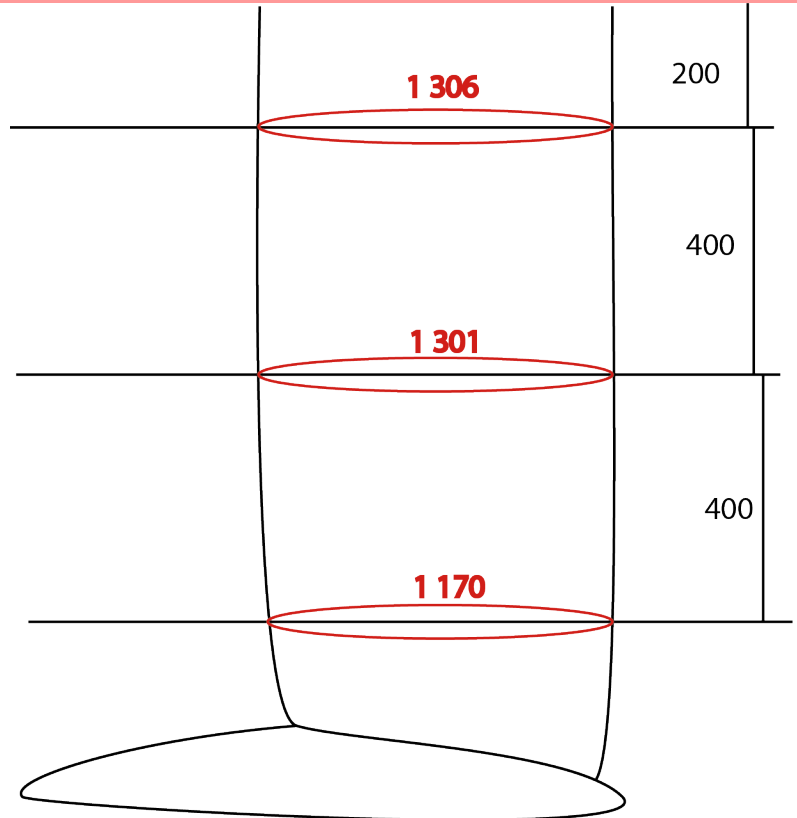
APPENDICES

Safrans

Poids approximatif (Kgs)	6,5
Mesures (L*I en mm)	1 260

Quille

Mesure(s) donc bord de fuite (mm)



DIVERS

Dérogations/exceptions

Matériau barre

Position batteries

-
Carbone
Descente
Quille

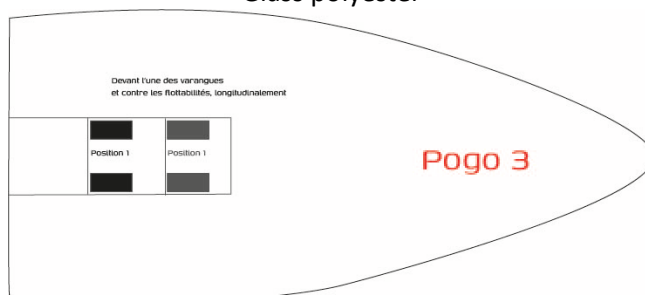
POGO 3

RIG	
Mast	
Manufacturer	AG+
Length of the tube (mm)	10 982
Profile	M215
Boom	
Manufacturer	AG+
Length of the tube (mm)	3 006
Profile	B165
Bowsprit	
Manufacturer	AG+
Length (rotation axis – end of the tube) (mm)	2 397
Inside diameter (mm)	66
Outside diameter (mm)	70
APPENDAGES	
Rudders	
Rough weight (Kgs)	7,5
Measures (L*I) (mm)	1 235*315
Keel	
Measure(s) including trailing edge	-

MISCELLANEOUS

Exemptions/exceptions
Steering system material
Batteries' positions

Hull deck bonding : PU adhesive
Glass polyester



RG 6,50

RIG

Mast

Manufacturer	Z
Length of the tube (mm)	10 965
Profile	Z230

Boom

Manufacturer	Z
Length of the tube (mm)	3 350
Profile	Z204

Bowsprit

Manufacturer	Riotecna
Length (rotation axis – end of the tube) (mm)	2 350
Inside diameter (mm)	57,8
Outside diameter (mm)	61,5

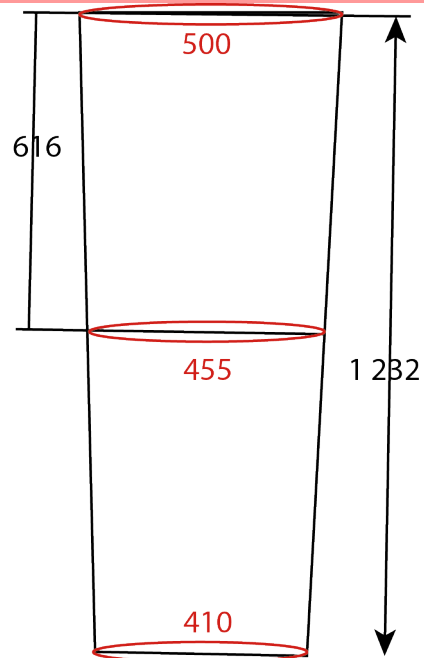
APPENDAGES

Rudders

Rough weight (Kgs)	6
Measures (L*I) (mm)	1 385*311

Keel

Measure(s) including trailing edge



MISCELLANEOUS

Exemptions/exceptions	-
Steering system material	Aluminium
Batteries' positions	Keel Under cockpit

SUPER CÂLIN

RIG

Mast

Manufacturer	Z
Length of the tube (mm)	11 350
Profile	Z230

Boom

Manufacturer	Z
Length of the tube (mm)	3 650
Profile	Z240

Bowsprit

Manufacturer	Magnan
Length (rotation axis – end of the tube) (mm)	2 400
Inside diameter (mm)	58
Outside diameter (mm)	63

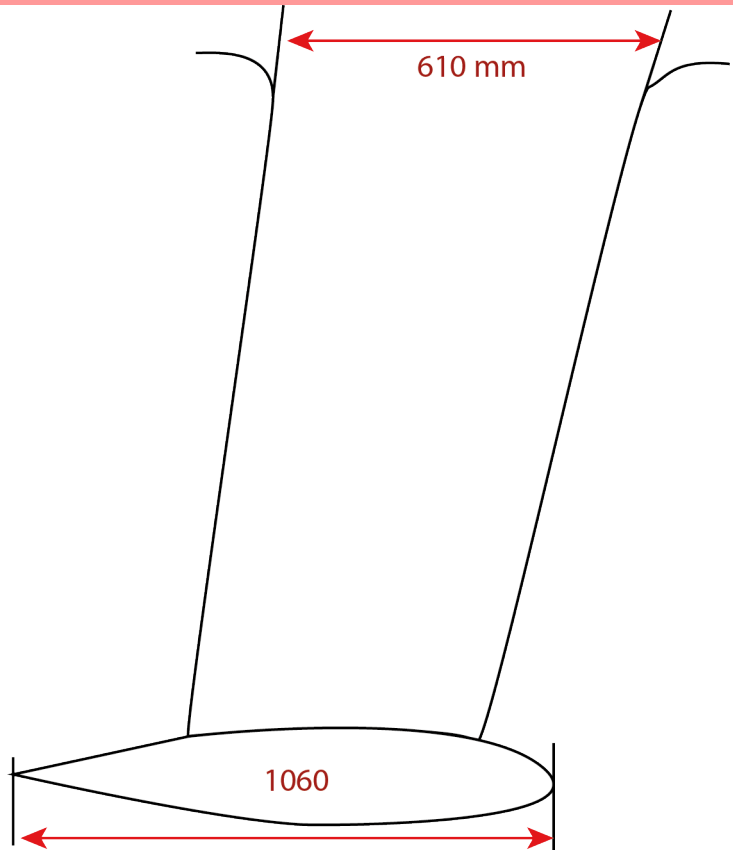
APPENDAGES

Rudders

Rough weight (Kgs)	6,5
Measures (L*I) (mm)	1 390

Keel

Measure(s) including trailing edge



MISCELLANEOUS

Exemptions/exceptions	-
Steering system material	-
Batteries' positions	Companionway Central box

TIP TOP

GREEMENT

Mât

Fabricant	AG+ Sparcraft
Longueur tube (mm)	11 080
Profil	M225 ou équivalent

Bôme

Fabricant	AG+ Sparcraft
Longueur tube (mm)	3 600
Profil	F60

Bout-dehors

Fabricant	Z	Sparcraft	Z	Z
Longueur (axe de rotation – extrémité du tube, en mm)		2 400		
Diamètre intérieur (mm)	65	55	52	65
Diamètre extérieur (mm)	70	60	57	70

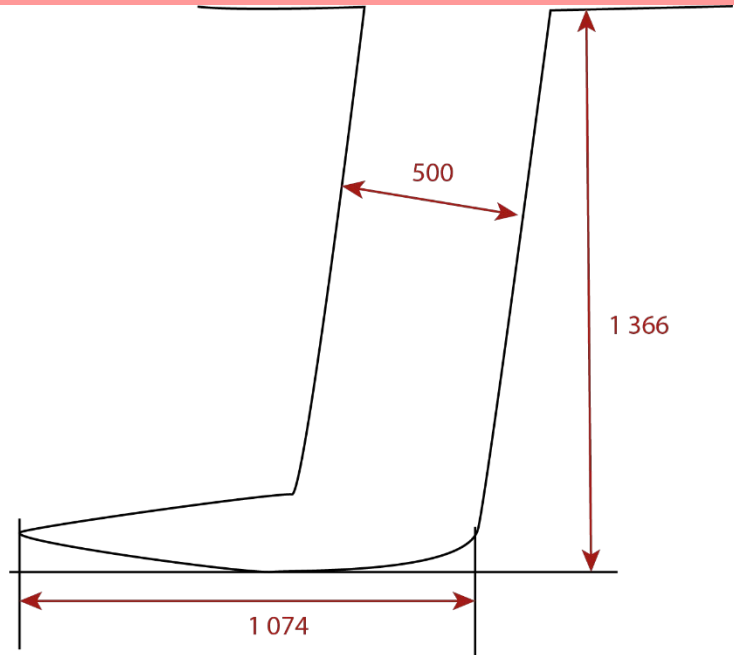
APPENDICES

Safrans

Poids approximatif (Kgs)	7
Mesures (L*I en mm)	1 300*300

Quille

Mesure(s) donc bord de fuite (mm)



DIVERS

Dérogations/exceptions	-
Matériau barre	-
Position batteries	Descente Quille

VECTOR

RIG

Mast

Manufacturer	AG+
Length of the tube (mm)	11 110
Profile	M220

Boom

Manufacturer	AG+
Length of the tube (mm)	3 075
Profile	B165

Bowsprit

Manufacturer	AG+
Length (rotation axis – end of the tube) (mm)	2 400
Inside diameter (mm)	65
Outside diameter (mm)	70

APPENDAGES

Rudders

Rough weight (Kgs)	8 with fittings
Measures (L*I) (mm)	1 430 * 287 * 181

Keel

Measure(s) including trailing edge	1 270 * 590 * 390 *40
------------------------------------	-----------------------

MISCELLANEOUS

Exemptions/exceptions	Hulls 1 to 8: Deck-shellalting junction with PVC foam
Steering system material	Glass polyester
Batteries' positions	Under the cockpit, front of the liferaft

ZERO

GREEMENT

Mât

Fabricant	Z
Longueur tube (mm)	9 680
Profil	Z230

Bôme

Fabricant	Z	
Longueur tube (mm)	3 270	
Profil	Z204	Z202

Bout-dehors

Fabricant	Z
Longueur (axe de rotation – extrémité du tube, en mm)	2 400
Diamètre intérieur (mm)	65
Diamètre extérieur (mm)	70

APPENDICES

Safrans

Poids approximatif (Kgs)	8,4	
Mesures (L*I en mm)	1 482	1 560

Quille

Mesure(s) donc bord de fuite (mm)	1 395 * 450
-----------------------------------	-------------

DIVERS

Dérogations/exceptions	-
Matériau barre	Barre liaison carbone
Position batteries	Quille